

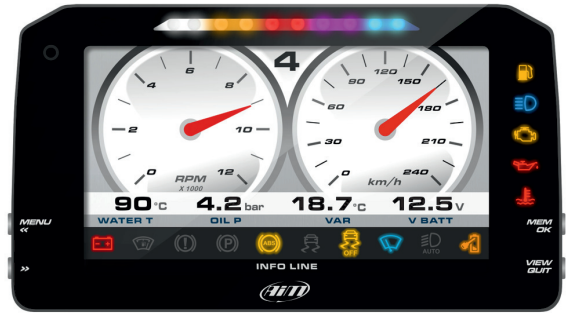


AiM MXP Strada

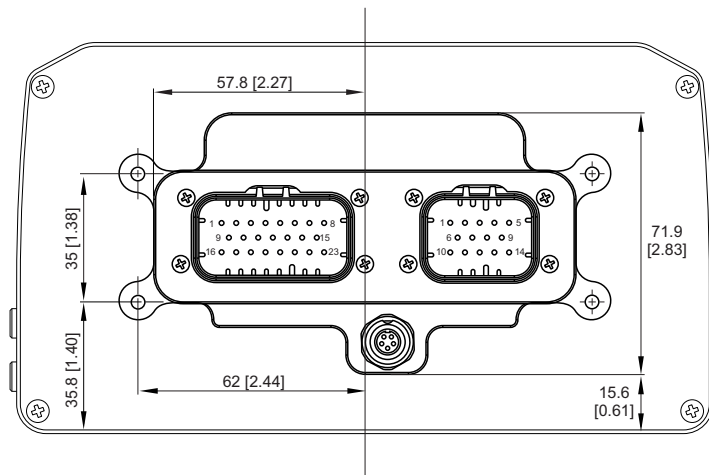
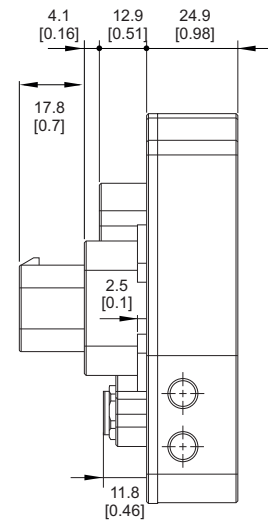
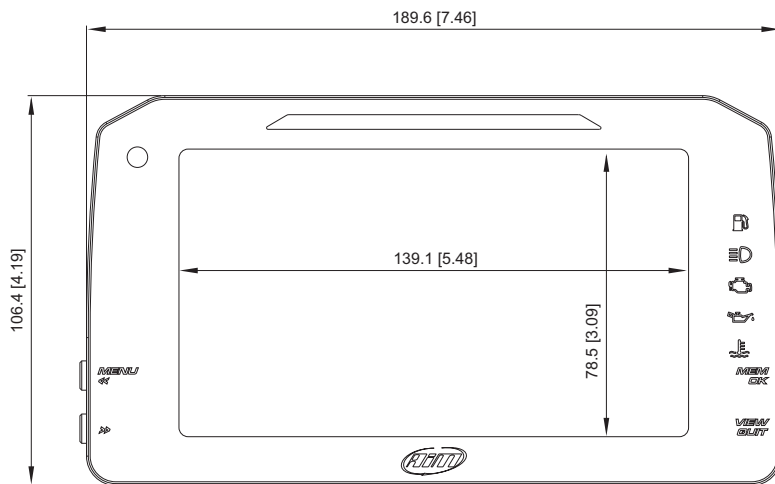
TFT Dash



Standard version



Street icons version





AiM MXP Strada

TFT Dash

Technical specifications

Display	6" TFT
Resolution	800x480 pixels
Contrast	600:1
Brightness	700cd/m2 - 1,100 Lumen
Ambient light sensor	Yes
Alarm display icons	Yes, freely configurable
Shift Lights	10 integrated freely configurable RGB LEDs
Alarm LEDs	5 integrated freely configurable RGB LEDs
CAN connections	2
ECU connection	CAN, RS232 or K-Line
ECU compatibility	1,000+ industry leading ECUs
Expansion CAN connection	GPS Module, Channel Expansion, TC Hub, Lambda Controller, SmartyCam HD
Analog inputs	8 fully configurable, max 1,000 Hz each
Digital inputs	1 Speed input, coil RPM input
Digital outputs	1 (1 A max)
Second CAN	Yes
Body	Anodized Aluminum
Pushbuttons	Metallic
Connectors	2 AMP connectors + 1 Binder connector
Dimensions	189.6 x 106.4 x 24.9 mm
Weight	590 g
Power consumption	400 mA
Waterproof	IP65

Part numbers

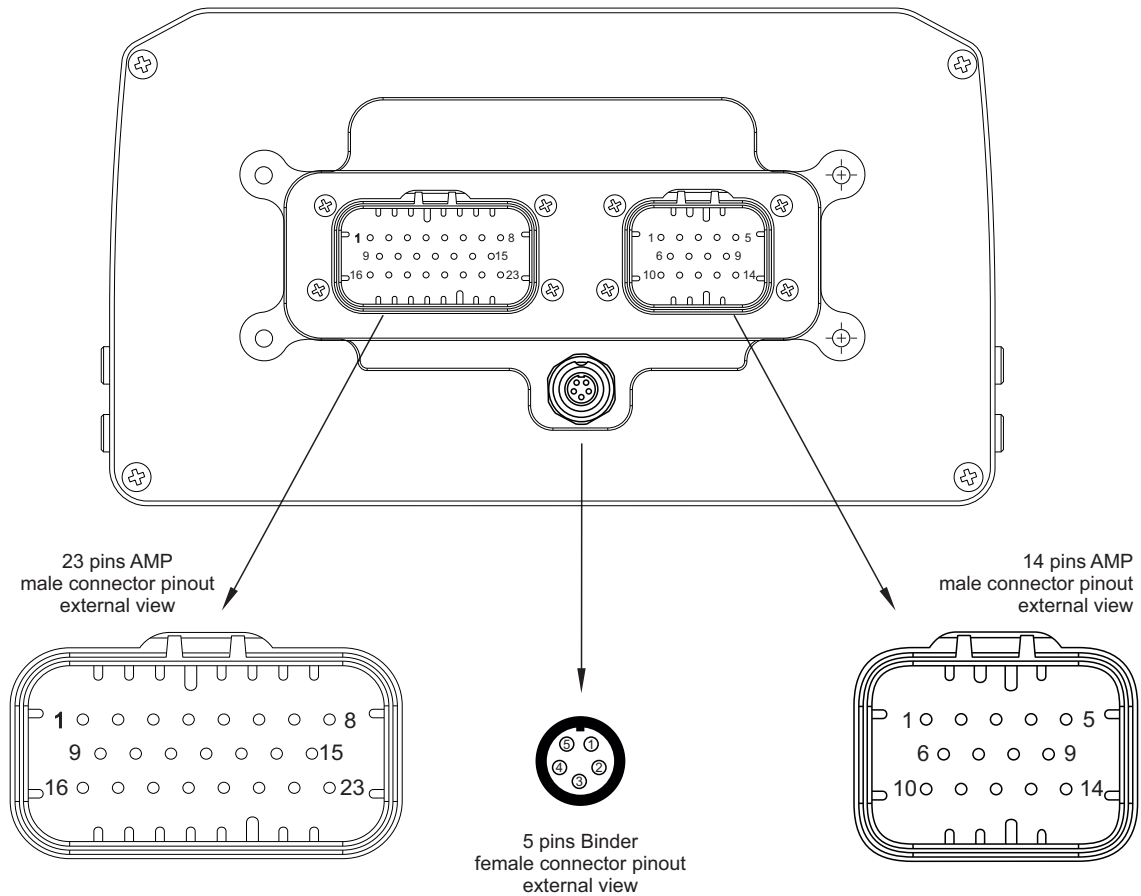
XA5MXPSTRA010	MXP Strada with CAN harness (ECU)
XA5MXPSTRA020	MXP Strada with OBD harness CAN+K (ECU)
XA5MXPSTRI010	MXP Strada Street icons version with CAN harness (ECU)
XA5MXPSTRI020	MXP Strada Street icons version with OBD harness CAN+K (ECU)



AiM MXP Strada

TFT Dash

Pinout



Pin	AMP 23 pin
1	Analog Input 1
2	Analog GND
3	+Vb output
4	+Vreference
5	Analog Input 2
6	Analog Input 3
7	Analog GND
8	+Vb output
9	+Vreference
10	Analog Input 4
11	Analog Input 5
12	Analog GND
13	+Vreference
14	Analog Input 6
15	Analog Input 7
16	+Vreference
17	Analog Input 8
18	Speed input
19	Ground
20	Low Side output
21	RPM input
22	CAN2+
23	CAN2-

Pin	Binder
1	Video input 1
2	GND
3	+Vb output Camera
4	GND
5	Video input 2

Pin	AMP 14 pin
1	9-15 V Power input
2	Battery Ground
3	CAN+ Exp
4	Ground
5	+Vb out CAN
6	CAN- Exp
7	+Vb ext CAN
8	CAN1+/ECU RS232TX
9	CAN1-/ECU RS232RX
10	K Line ECU
11	USB D+
12	USB D-
13	USB Ground
14	Reserved