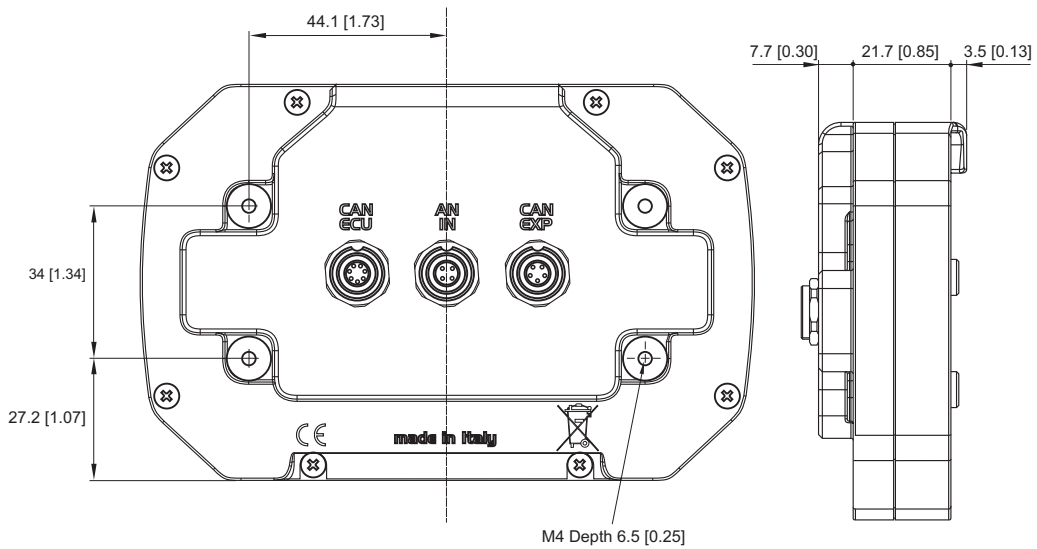
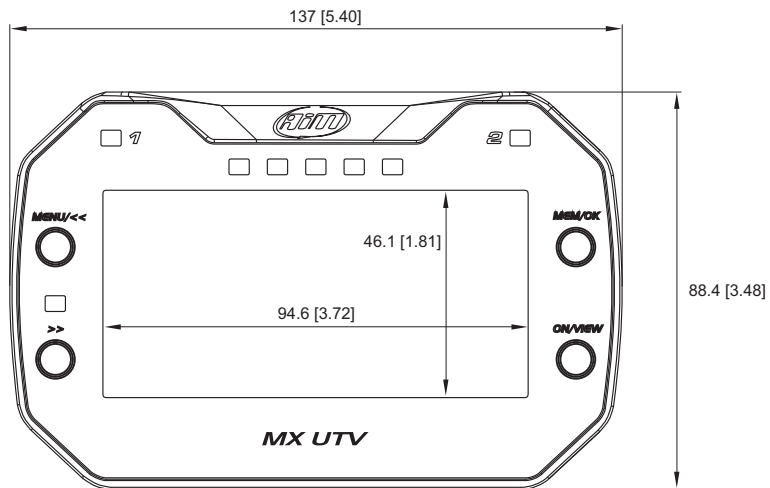




# AiM MX UTV

Dash logger





# AiM MX UTV

## Dash logger

### Technical specifications

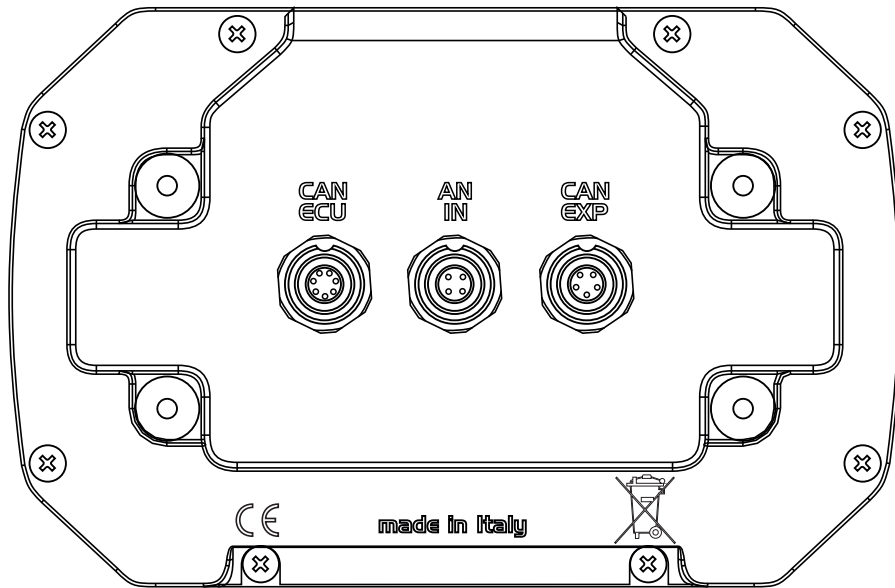
|                             |  |
|-----------------------------|--|
| <b>Display resolution</b>   | 268 x 128 pixels   |
| <b>Backlight</b>            | 7 configurable RGB colors  |
| <b>Ambient Light sensor</b> | Yes  |
| <b>Shift Lights</b>         | 5 configurable RGB LEDs  |
| <b>Alarm LEDs</b>           | 2 configurable RGB LEDs  |
| <b>CAN connection</b>       | Yes  |
| <b>ECU connection</b>       | Models: Channels:<br><b>Polaris RZR non turbo:</b> Speed, RPM, Gear, ECT, TPS, BrakeSW, Fuel Rate<br><b>Polaris RZR turbo:</b> Speed, RPM, Gear, ECT, TPS, BrakeSW, Fuel Rate, Boost pressure, Charge Air temp (from request)<br><b>CAN-AM non turbo:</b> Speed, RPM, Gear, ECT, TPS, BrakeSW, instant fuel flow, Low Oil Pressure (as alarm function only, no data)<br><b>CAN-AM turbo:</b> Speed, RPM, Gear, ECT, TPS, BrakeSW, Instant Fuel consumed, Boost Pressure, Intake Air temp<br><b>Yamaha YXZ 2016:</b> Speed, RPM, Gear, ECT<br><b>Yamaha YXZ 2017:</b> Speed, RPM, Gear, ECT, TPS, BrakeSW<br><b>Arctic Cat Wildcat:</b> Speed, RPM, Gear, ECT, TPS, BrakeSW |
| <b>GPS</b>                  | Integrated   |
| <b>External modules</b>     | Lambda Controller, SmartyCam HD  |
| <b>Analog inputs</b>        | 1  |
| <b>WiFi connection</b>      | Yes  |
| <b>Internal memory</b>      | 4 GB   |
| <b>Body</b>                 | Glass fiber reinforced Nylon   |
| <b>Pushbuttons</b>          | Metallic   |
| <b>Connectors</b>           | 3 Binder connectors  |
| <b>Dimensions</b>           | 137 x 88.4 x 31.9 mm   |
| <b>Weight</b>               | 330 g  |
| <b>Waterproof</b>           | IP65   |
| <b>Part number</b>          |  |
| <b>X85MXUTV001</b>          | MX UTV   |



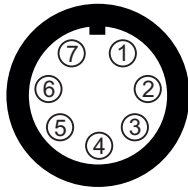
# AiM MX UTV

## Dash logger

### Pinout

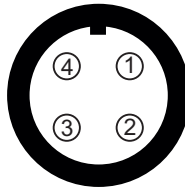


**CAN ECU**



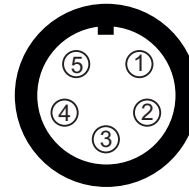
7 pins Binder 712 female connector pinout front view

**AN IN**



4 pins Binder 712 female connector pinout front view

**CAN EXP**



5 pins Binder 712 female connector pinout front view

| ECU connector |          |
|---------------|----------|
| 1             | CAN ECU+ |
| 2             | CAN ECU- |
| 3             | +Vbext   |
| 4             | RS232TX  |
| 5             | RS232RX  |
| 6             | K-Line   |
| 7             | GND      |

| Analog Input connector |                |
|------------------------|----------------|
| 1                      | Analog input 1 |
| 2                      | Analog GND     |
| 3                      | +Vb out        |
| 4                      | +VReference    |

| EXP Connector |         |
|---------------|---------|
| 1             | CAN+    |
| 2             | GND     |
| 3             | +Vb out |
| 4             | CAN-    |
| 5             | +Vbext  |