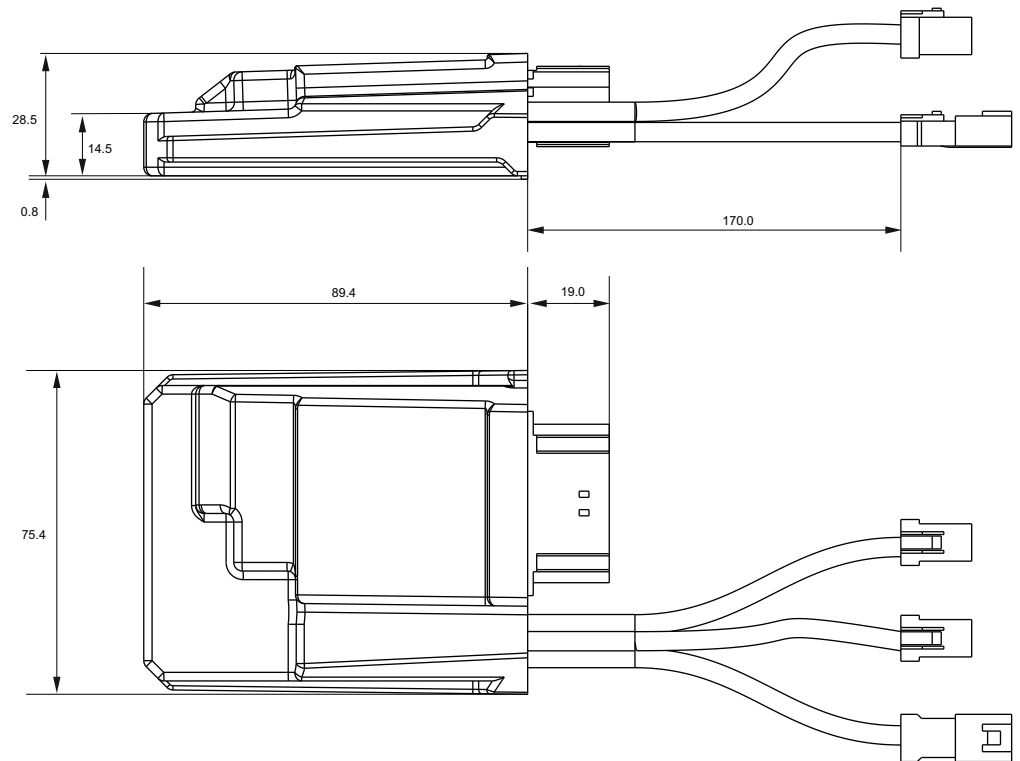
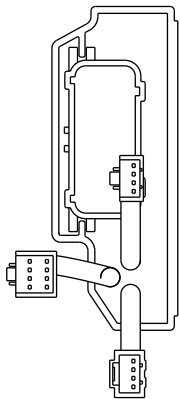




AiM ECU Taipan & accessories

PLUG 'N PLAY ECU FOR MOTOCROSS








AiM ECU Taipan & accessories

PLUG 'N PLAY ECU FOR MOTOCROSS

Technical specifications

Plug 'n play ECU for :

| AiM ECU Taipan Compatible models | Bikes | | | | Project status |
|--|-----------|----------|-----------|------|----------------|
| | Brand | Type | Race | Year | |
|  | GASGAS | MC 250F | Cross | 2021 | OK |
| | | | | 2022 | OK |
| | | MC 450F | Cross | 2021 | OK |
| | | | | 2022 | OK |
| | | EC 350F | Enduro | 2021 | OK |
| | | | | 2022 | OK |
|  | HONDA | CRF 250R | Cross | 2019 | OK |
| | | | | 2020 | OK |
| | | | | 2021 | OK |
| | | | | 2022 | OK |
| | | CRF 450R | Cross | 2019 | OK |
| | | | | 2020 | OK |
| | | | | 2021 | OK |
| | | | | 2022 | OK |
| | | CRF 450L | Enduro | 2021 | OK |
| | | | | 2022 | OK |
| | | | | | |
| | | | | | |
|  | HUSQVARNA | FC 250 | Cross | 2019 | OK |
| | | | | 2020 | OK |
| | | | | 2021 | OK |
| | | | | 2022 | OK |
| | | FC 350 | Cross | 2019 | OK |
| | | | | 2020 | OK |
| | | | | 2021 | OK |
| | | | | 2022 | OK |
| | | FC 450 | Cross | 2019 | OK |
| | | | | 2020 | OK |
| | | | | 2021 | OK |
| | | | | 2022 | OK |
| | | FE 350 | Enduro | 2020 | OK |
| | | | | 2021 | OK |
| | | | | 2022 | OK |
| | | FE 450 | Enduro | 2020 | OK |
| | | | | 2021 | OK |
| | | | | 2022 | OK |
| | | FS 450 | Supermoto | 2019 | OK |
| | | | | 2020 | OK |
| 2021 | OK | | | | |
| 2022 | OK | | | | |
| FE 501 | Enduro | 2020 | OK | | |
| | | 2021 | OK | | |
| | | 2022 | OK | | |

Continue on the next page

Upgrades for all the 2021 motorcycles (250 and 450) are in development right now and will be ready very soon.



AiM ECU Taipan & accessories

PLUG 'N PLAY ECU FOR MOTOCROSS

Technical specifications

Plug 'n play ECU for :

| AiM ECU Taipan Compatible models | Bikes | | | | Project status |
|---|----------|-----------|-----------|------|----------------|
| | Brand | Type | Race | Year | |
|  | KAWASAKI | KX 250 | Cross | 2021 | |
| | | KX 450 | Cross | 2019 | OK |
| | | | | 2020 | OK |
| 2021 | OK | | | | |
|  | KTM | SX-F 250 | Cross | 2019 | OK |
| | | | | 2020 | OK |
| | | | | 2021 | OK |
| | | | | 2022 | OK |
| | | SX-F 350 | Cross | 2019 | OK |
| | | | | 2020 | OK |
| | | | | 2021 | OK |
| | | | | 2022 | OK |
| | | SX-F 450 | Cross | 2019 | OK |
| | | | | 2020 | OK |
| | | | | 2021 | OK |
| | | | | 2022 | OK |
| | | EXC-F 350 | Enduro | 2020 | OK |
| | | | | 2021 | OK |
| | | | | 2022 | OK |
| | | EXC-F 450 | Enduro | 2020 | OK |
| | | | | 2021 | OK |
| | | | | 2022 | OK |
| | | SMR 450 | Supermoto | 2019 | OK |
| | | | | 2020 | OK |
| 2021 | OK | | | | |
| 2022 | OK | | | | |
| EXC-F 500 | Enduro | 2020 | OK | | |
| | | 2021 | OK | | |
| | | 2022 | OK | | |

Upgrades for all the 2021 motorcycles (250 and 450) are in development right now and will be ready very soon.



AiM ECU Taipan & accessories

PLUG 'N PLAY ECU FOR MOTOCROSS

Technical specifications

Additional characteristics to the stock ECU:

- Two 0-5V analog inputs sampled @ 1,000 Hz each, could be alternatively used as switch to ground
- Second injector driver for high impedance saturated injectors (12Ω)
- One low side driver (1A)
- Two CAN bus, one for calibration purposes, one for expansions (AiM handlebar switch, dataloggers, dash ecc.)
- Three JST JWPF waterproof auxiliary connector
- Power consumption 150 mA

- Connectors: n.1 JST 04T-JWPF-VSLE-S Connector
n.1 JST 08R-JWPF-VSLE-D Connector
n.1 JST 04R-JWPF-VSLE-S Connector
n.1 33 pin male Connector

- Body: PA6 + 30% glass fiber
- Dimensions: 89.4x75.4x29.3 mm
- Waterproof: IP67
- Weight: 260 g



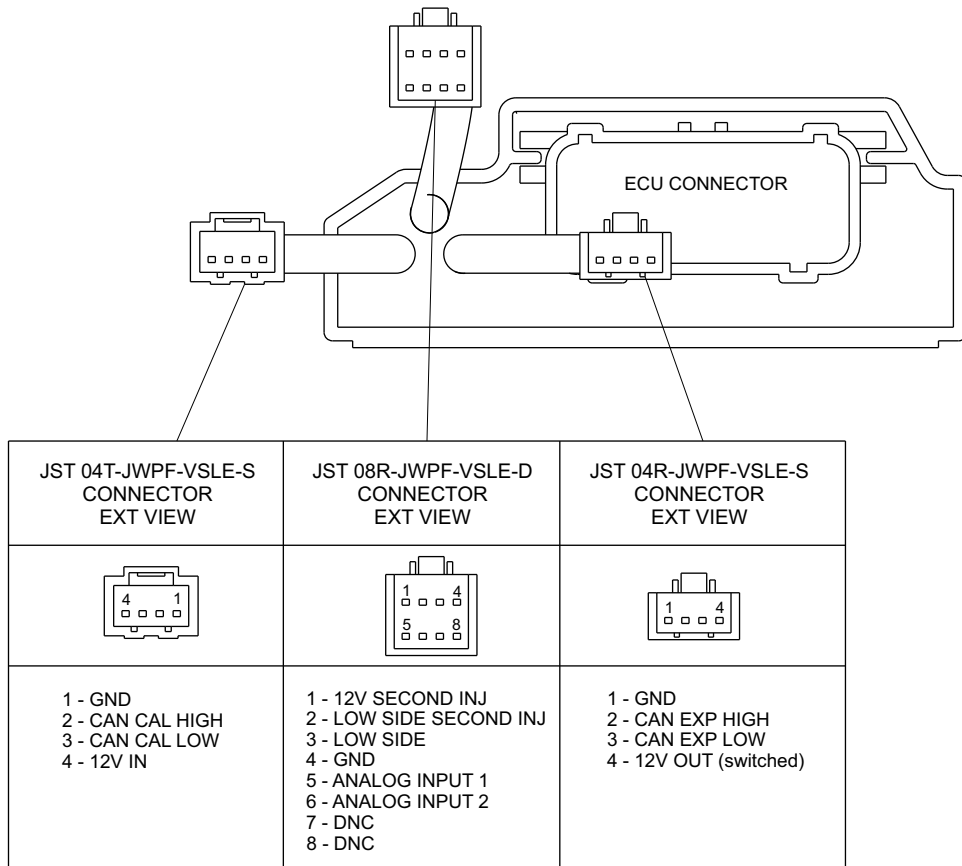
AiM ECU Taipan & accessories

PLUG 'N PLAY ECU FOR MOTOCROSS

Part numbers (ECU Taipan & accessories)

| | |
|----------------------|--|
| XE1ECUCB0 | ECU Taipan |
| XE1HBS000 | Handle Bar Switch |
| XE1UCB000 | UC Bridge |
| XE1UCBT00 | UC Bridge Tuner |
| XE1ECUHBS00 | Kit ECU Taipan + Handle Bar Switch |
| XE1ECUHBSUCB0 | Kit ECU Taipan + Handle Bar Switch + UC Bridge |

Pinout

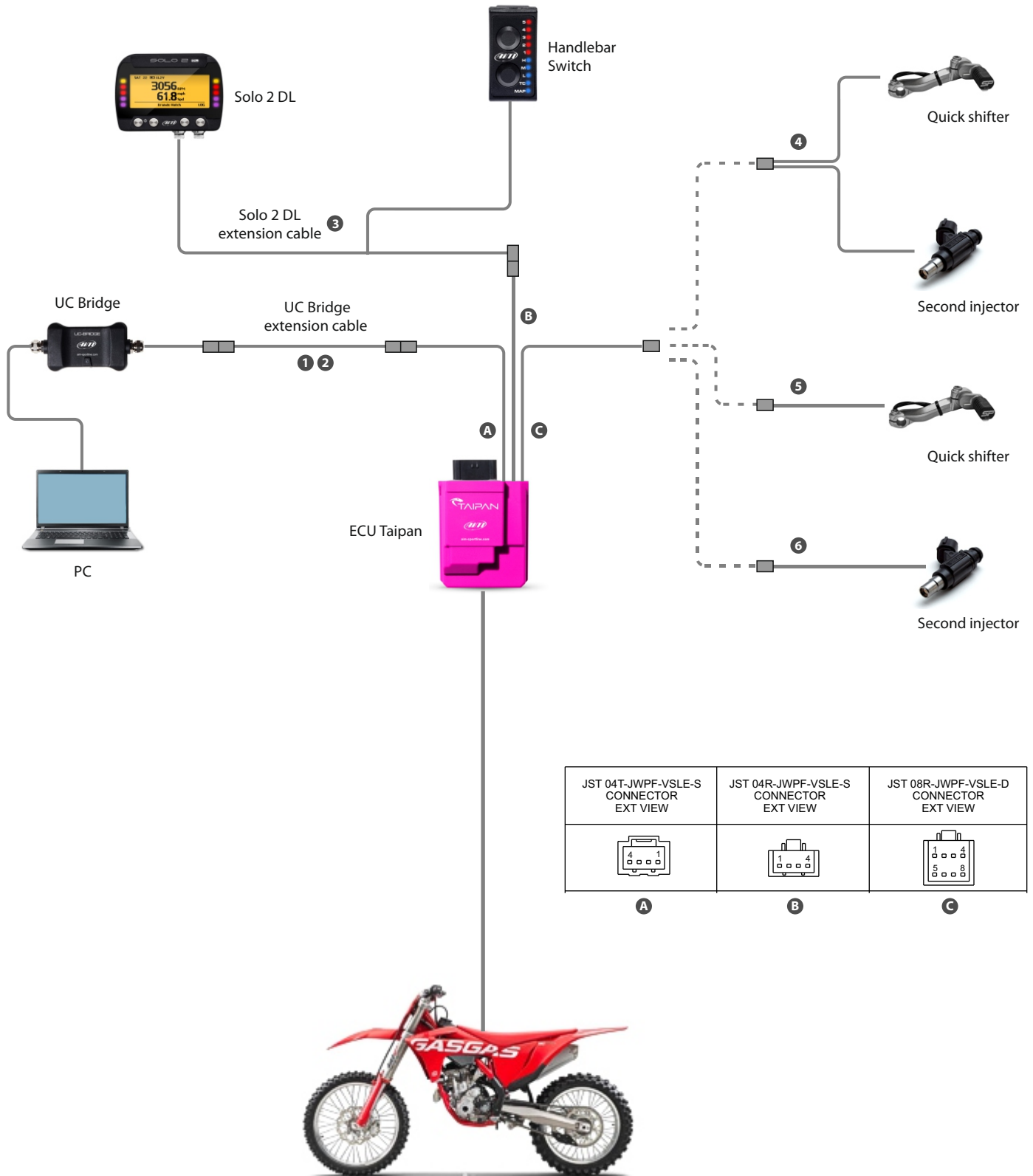




AiM ECU Taipan & accessories

PLUG 'N PLAY ECU FOR MOTOCROSS

Functional diagram





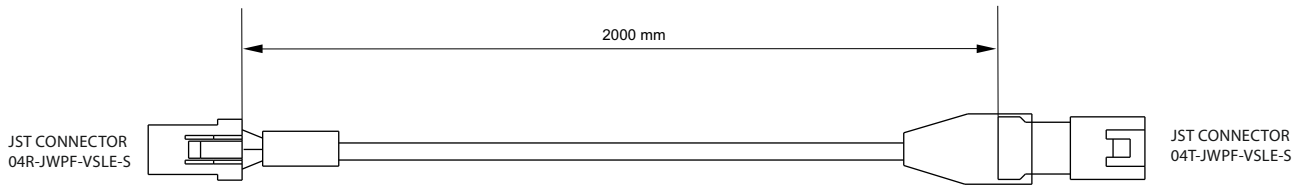
AiM ECU Taipan & accessories

PLUG 'N PLAY ECU FOR MOTOCROSS

Optional cables

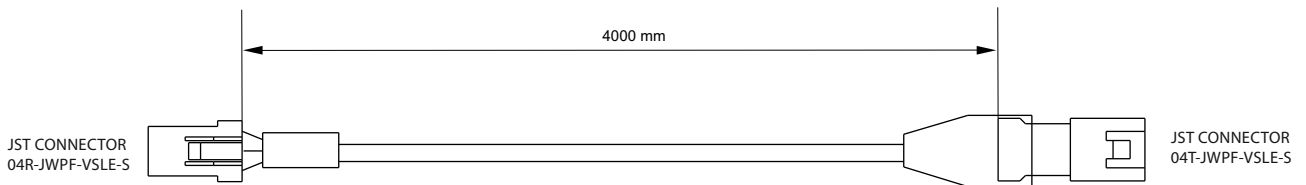
1 UC Bridge extension cable 2 m

Part number V02596020



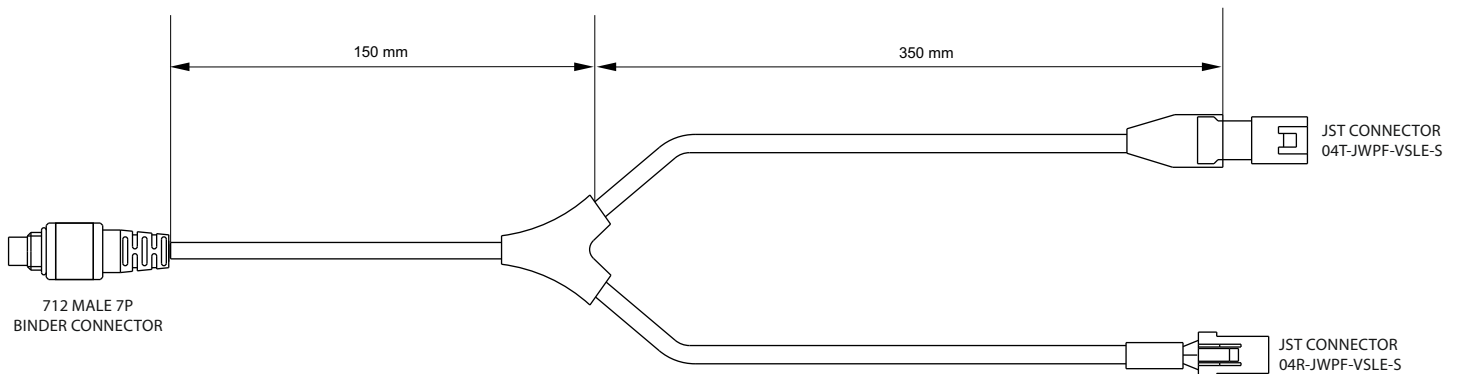
2 UC Bridge extension cable 4 m

Part number V02596030



3 Solo 2 DL extension cable 50 cm

Part number V02589120





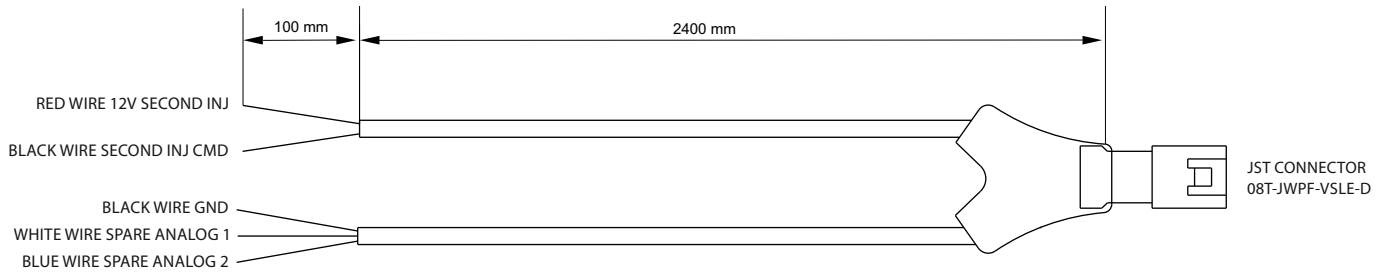
AiM ECU Taipan & accessories

PLUG 'N PLAY ECU FOR MOTOCROSS

Optional cables

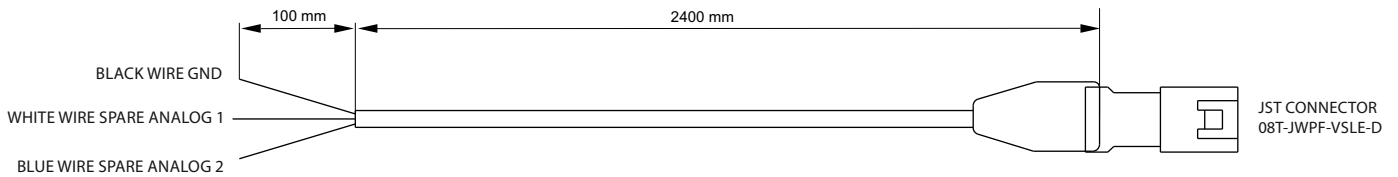
4 Analog channels and second injection harness

Part number V02596060



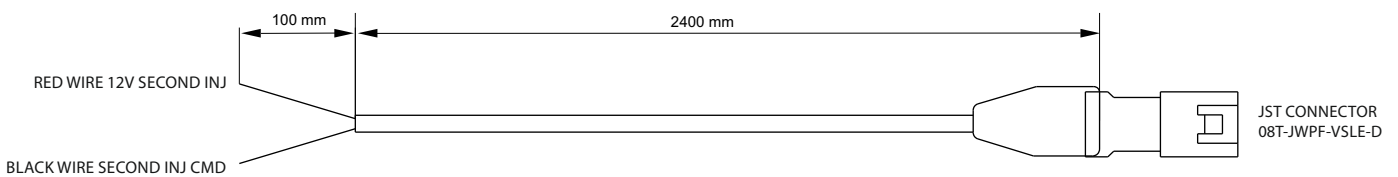
5 Analog channels harness

Part number V02596070



6 Second injection harness

Part number V02596080



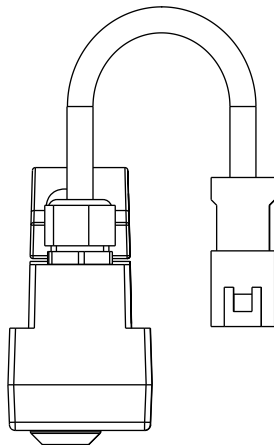
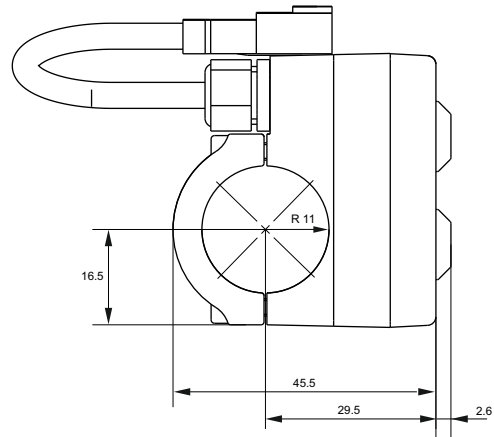
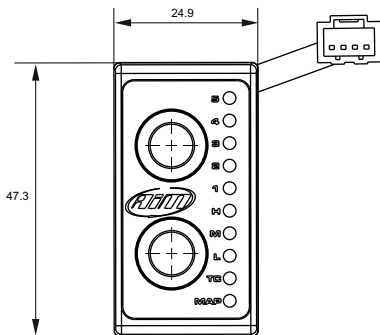


AiM ECU Taipan & accessories

PLUG 'N PLAY ECU FOR MOTOCROSS

Accessories:

Handlebar Switch





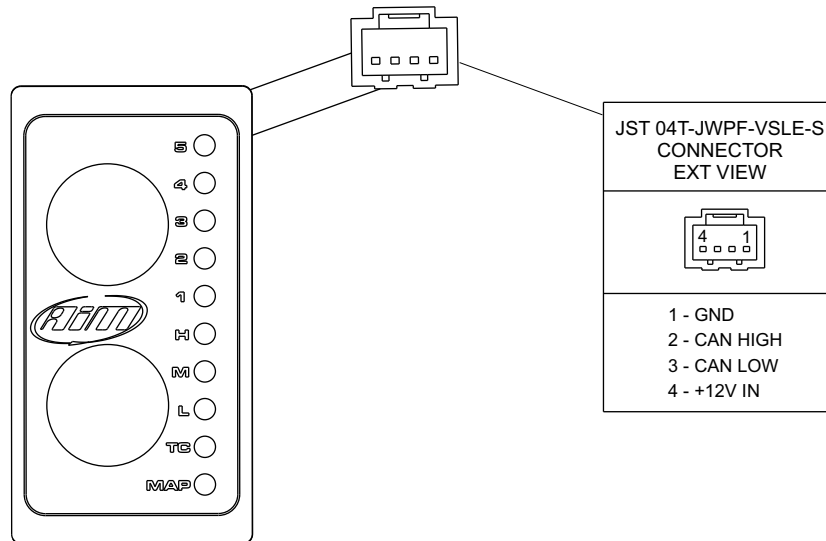
AiM ECU Taipan & accessories

PLUG 'N PLAY ECU FOR MOTOCROSS

Accessories:

Handlebar Switch technical specifications and pinout

- JST waterproof connector for CAN Bus communication
- Connector: n.1 JST 04T-JWPF-VSLE-S Connector
- Body: PA6 + 30% glass fiber
- Dimensions: 47.3x24.9x48.1 mm
- Waterproof: IP67
- Weight: 70 g





AiM ECU Taipan & accessories

PLUG 'N PLAY ECU FOR MOTOCROSS

Accessories:

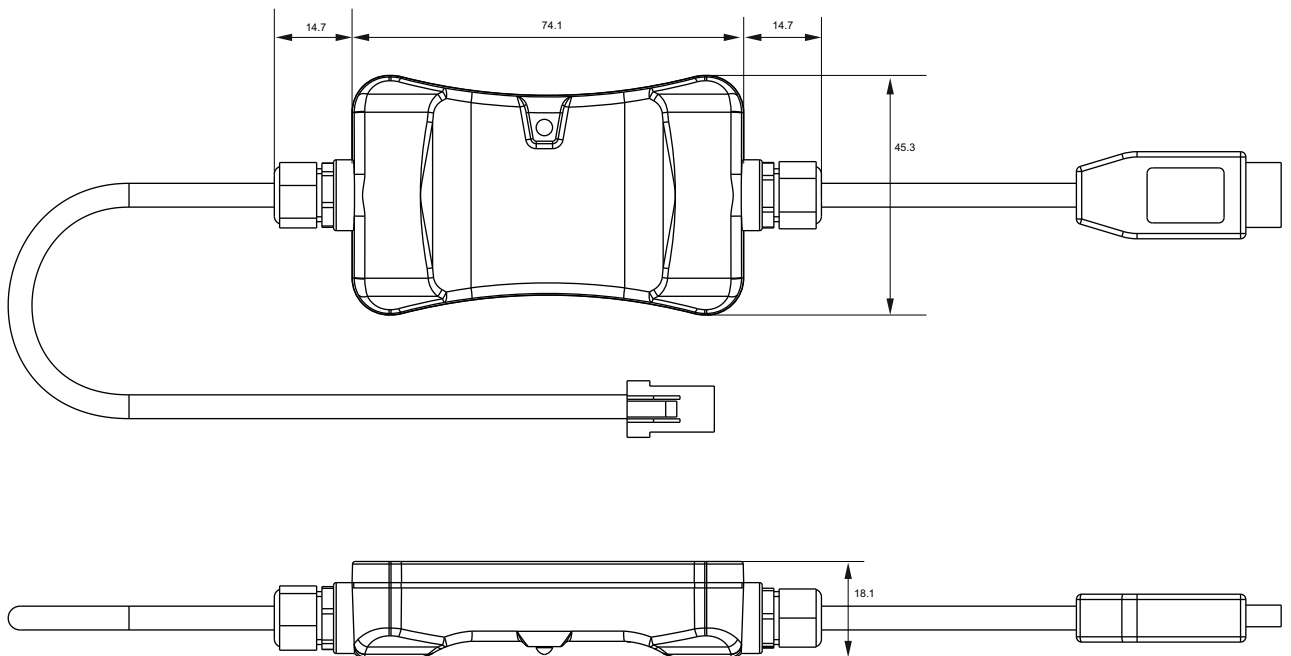
UC Bridge



User license



Tuner license





AiM ECU Taipan & accessories

PLUG 'N PLAY ECU FOR MOTOCROSS

Accessories:

UC Bridge technical specifications and pinout

- Connectors: n.1 USB connection for PC
n.1 JST 04R-JWPF-VSLE-S waterproof Connector for CAN Bus communication
- Body: PA6 + 30% glass fiber
- Dimensions: 103.5x45.3x18.1 mm
- Waterproof: IP65
- Weight: 80 g

