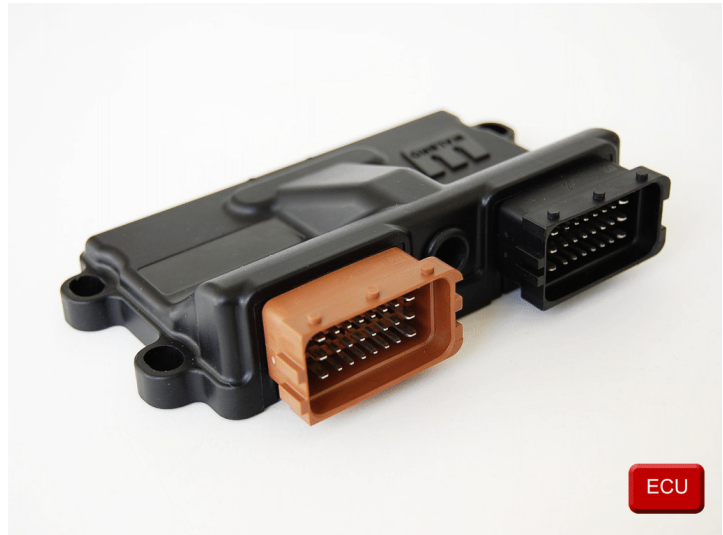


AiM Infotech

Walbro J2Race10 ECU

Release 1.02

---

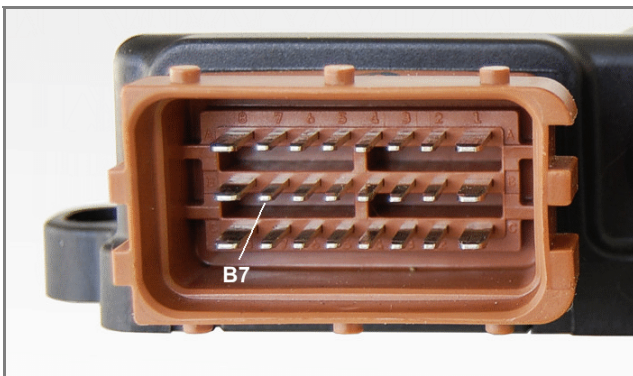


This tutorial explains how to connect Walbro J2 Race10 to AiM devices.

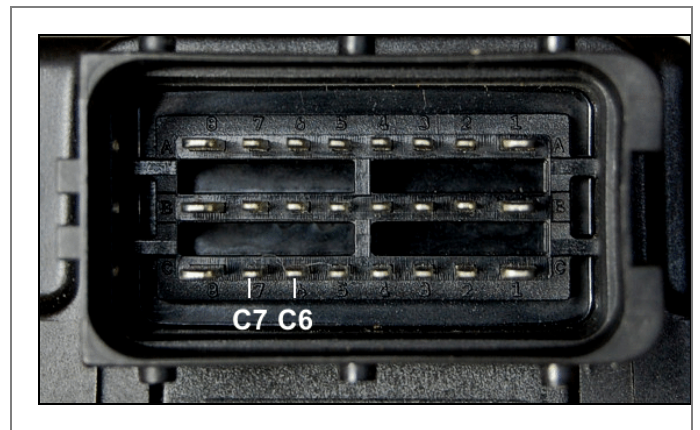
# 1 Wiring connection

---

Walbro J2 Race 10 ECU communicates using the serial protocol on the front male connectors. Here below you see the connectors on top and connection table on bottom.

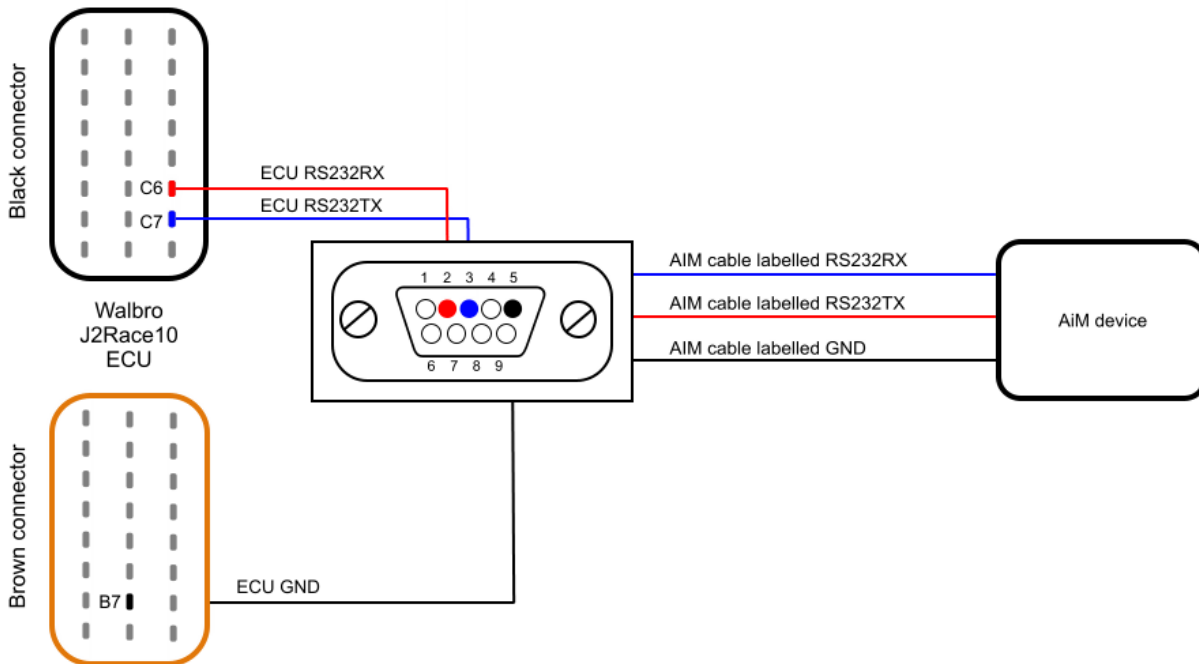


<b>Brown connector pin</b>	<b>Pin function</b>
B7	GND



<b>Black connector pin</b>	<b>Pin function</b>
C7	RS232TX
C6	RS232RX

To connect AiM devices use the DB9 male connector on the ECU wiring. Here below are wiring scheme as well as connection table.



Black connector pin	Brown connector pin	Pin function	DB9 pin	AiM cable
C6		RS232RX	2	RS232TX
C7		RS232TX	3	RS232RX
	B7	GND	5	GND

## 2 AiM device configuration

Before connecting the ECU to AiM device set this up using AiM Race Studio software The parameters to select in the device configuration are:

- ECU manufacturer "Walbro"
- ECU Model "HPUJ\_J2RACE10";

### 3

## Available channels

---

Channels received by AiM devices connected to "Walbro" "HPUJ\_J2RACE10" protocol are:

<b>ID</b>	<b>CHANNEL NAME</b>	<b>FUNCTION</b>
ECU_1	J2_RPM	RPM
ECU_2	J2_SPEED	Speed
ECU_3	J2_MAP	Manifold pressure
ECU_4	J2_BAP	Barometric air pressure
ECU_5	J2_TPS	Throttle position sensor
ECU_6	J2_DEL_TPS_POS	Throttle position positive delta
ECU_7	J2_DEL_TPS_NEG	Throttle position negative delta
ECU_8	J2_T_AIR	Intake air temperature
ECU_9	J2_T_ENGINE	Engine temperature
ECU_10	J2_PEDAL	Pedal position sensor
ECU_11	J2_THROTTLE	Throttle request
ECU_12	J2_VBATT1	Battery supply 1
ECU_13	J2_VBATT2	Battery supply 2
ECU_14	J2_LAMBDA1	Lambda Value 1
ECU_15	J2_LAMBDA_RAW	Lambda raw value
ECU_16	J2_LAMBDA_TARG	Lambda target value
ECU_17	J2_KLAMBDA	Fuel correction from lambda value
ECU_18	J2_INJ1	Injection Time 1
ECU_19	J2_INJ2	Injection Time 2
ECU_20	J2_INJ3	Injection Time 3
ECU_21	J2_INJ4	Injection Time 4
ECU_22	J2_SPARK1	Spark advance 1
ECU_23	J2_SPARK2	Spark advance 2
ECU_24	J2_SPARK3	Spark advance 3
ECU_25	J2_SPARK4	Spark advance 4



ECU_26	J2_PHASE	Phase
ECU_27	J2_IDLE_VALV	Idle valve
ECU_28	J2_ACT_BLOCK	Immobilizer
ECU_29	J2_VREF	V Reference