

AiM Infotech

MAXXECU CAN

Release 1.03

---



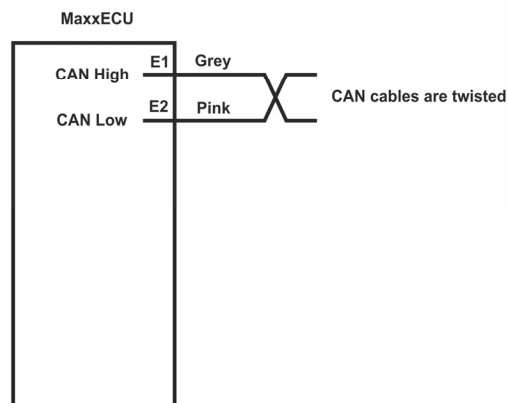
This tutorial explains how to connect Maxxecu CAN ECU to AiM devices.

# 1

## Wiring connection

---

Maxxecu CAN ECU features a data communication bus based on CAN on the front connector. Here below you see connection scheme and connection table.



Pin number	Pin function	Cable colour	AIM cable label
E1	CAN high	Grey	CAN+
E2	CAN Low	Pink	CAN-

# 2

## AiM device configuration

---

Before connecting the ECU to AiM device set this up using AiM Race Studio software. The parameters to select in the device configuration are:

- ECU manufacturer "Maxxecu"
- ECU Model "CAN"

### 3

## Available channels

---

Channels received by AiM devices connected to "Maxxecu" "CAN" protocol are.

<b>ID</b>	<b>CHANNEL NAME</b>	<b>FUNCTION</b>
ECU_1	ECU_RPM	RPM
ECU_2	ECU_THROTTLE	Throttle position sensor
ECU_3	ECU_MAN_PRES	Manifold air pressure
ECU_4	ECU_LAMBDA	Lambda average value
ECU_5	ECU_LAMB_A	Lambda value bank A
ECU_6	ECU_LAMB_B	Lambda value bank B
ECU_7	ECU_IGN_ANG	Ignition angle
ECU_8	ECU_IGN_CUT	Ignition cut
ECU_9	ECU_FUEL_PUL	Fuel pulse
ECU_10	ECU_FUEL_DUT	Fuel duty charge
ECU_11	ECU_FUEL_CUT	Fuel cut
ECU_12	ECU_VEH_SPD	Vehicle speed
ECU_13	ECU_UDR_SPD	Undriven wheel average speed
ECU_14	ECU_DR_SPD	Driven wheel average speed
ECU_15	ECU_WHE_SLIP	Wheel slip
ECU_16	ECU_TRG_SLIP	Target slip
ECU_17	ECU_TC_LIMIT	Traction control limit
ECU_18	ECU_LA_COR_A	Lambda correction bank A
ECU_19	ECU_LA_COR_B	Lambda correction bank B
ECU_20	ECU_FIRM_VER	Firmware version
ECU_21	ECU_V_BATT	Battery supply
ECU_22	ECU_BARO_PRE	Barometric pressure
ECU_23	ECU_INT_TEMP	Intake air temperature
ECU_24	ECU_ENG_TEMP	Engine temperature
ECU_25	ECU_FUEL_TRIM	Fuel trim



ECU_26	ECU_ETHANOL	Ethanol percentage
ECU_27	ECU_TOT_IGN	Total ignition percentage
ECU_28	ECU_EGT1	Exhaust gas temperature 1
ECU_29	ECU_EGT2	Exhaust gas temperature 2
ECU_30	ECU_EGT3	Exhaust gas temperature 3
ECU_31	ECU_EGT4	Exhaust gas temperature 4
ECU_32	ECU_EGT5	Exhaust gas temperature 5
ECU_33	ECU_EGT6	Exhaust gas temperature 6
ECU_34	ECU_EGT7	Exhaust gas temperature 7
ECU_35	ECU_EGT8	Exhaust gas temperature 8
ECU_36	ECU_EGT_HIGH	Exhaust gas temperature max value
ECU_37	ECU_EGT_DIFF	Difference between highest and lowest EGT
ECU_38	ECU_CPU_TMP	EPU temperature
ECU_39	ECU_ERR	Number of error code
ECU_40	ECU_SYNC	Nr. of times the ECU detected errors in engine position sensor
ECU_41	ECU_ANALOG1	Analog channel 1
ECU_42	ECU_ANALOG2	Analog channel 2
ECU_43	ECU_ANALOG3	Analog channel 3
ECU_44	ECU_ANALOG4	Analog channel 4
ECU_45	ECU_GEAR	Engaged gear
ECU_46	ECU_BOOST_DTY	Boost duty
ECU_47	ECU_SPARE1	Custom channel 1
ECU_48	ECU_SPARE2	Custom channel 2