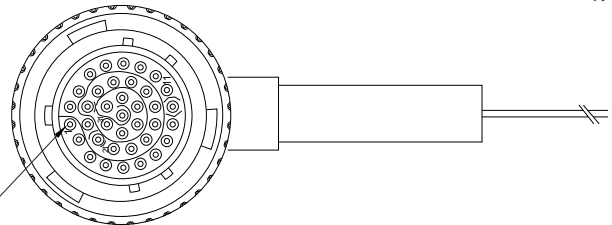


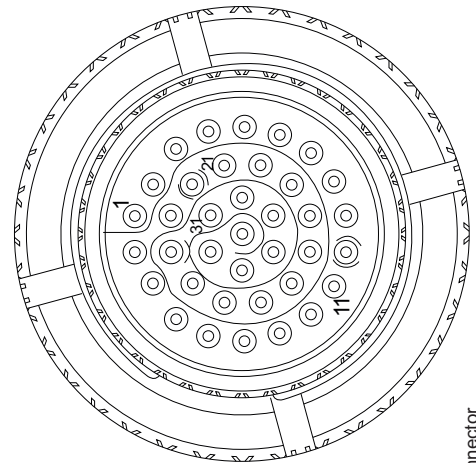
37 pins Deutsch female flying connector

Harness front view

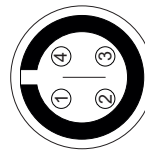


37 pins Deutsch connector external view

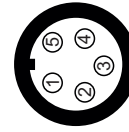
SEZ A-A



37pins Deutsch connector contact insertion view



4 pins Binder 719 female connector pinout solder termination view



5 pins Binder 712 female connector pinout solder termination view

Rif. / Ref.	Q.tà / Q.ty	Materiale / Material		N. articolo / Item N.	
Progettato da / Designed by D.B.		Contr. da/ Ckd. by	Approvato da/ Approved by	Nome file / File name	Data / Date 31/08/12
		Titolo/Title Cablaggio standard connettore Deutsch 37 pin per MXL2/MXG/MXG 1.2/MXP/MXS/MXS1.2/EVO5			Scala / Scale
		N. disegno / Drawing N. 04.573.01		Rev. / Rev 8	

Table cables ending with 4 pins Binder 719 female connector

37 pins Deutsch connector pin	Cable colour	Destination connector pin	Cable type	Length	Channel	Label
22 23 24 25	White Black Red Blue	1 2 3 4	4x0.35mm ²	340mm	Analog channel 1 GND V Battery V Reference	Ch.1
26 27 28 29	White Black Red Blue	1 2 3 4	4x0.35mm ²	340mm	Analog channel 2 GND V Battery V Reference	Ch.2
30 31 32 33	White Black Red Blue	1 2 3 4	4x0.35mm ²	360mm	Analog channel 3 GND V Battery V Reference	Ch.3
34 35 36 37	White Black Red Blue	1 2 3 4	4x0.35mm ²	360mm	Analog channel 4 GND V Battery V Reference	Ch.4
19 20 21	White Black Blue n.c.	1 2 3 4	3x0.35mm ²	320mm	Speed 1 GND V Battery n.c.	speed 1
16 17 18	n.c. Black Blue White	1 2 3 4	3x0.35mm ²	320mm	n.c. GND V Battery Optical lap	Lap
12 14 13	White* Black Blue* n.c.	1 2 3 4	2x0.35+1x0.35 twistato	1100mm	USB D+ GND USB D- n.c.	USB

*= twisted

Table of cables ending with 5 pins Binder 712 female connector

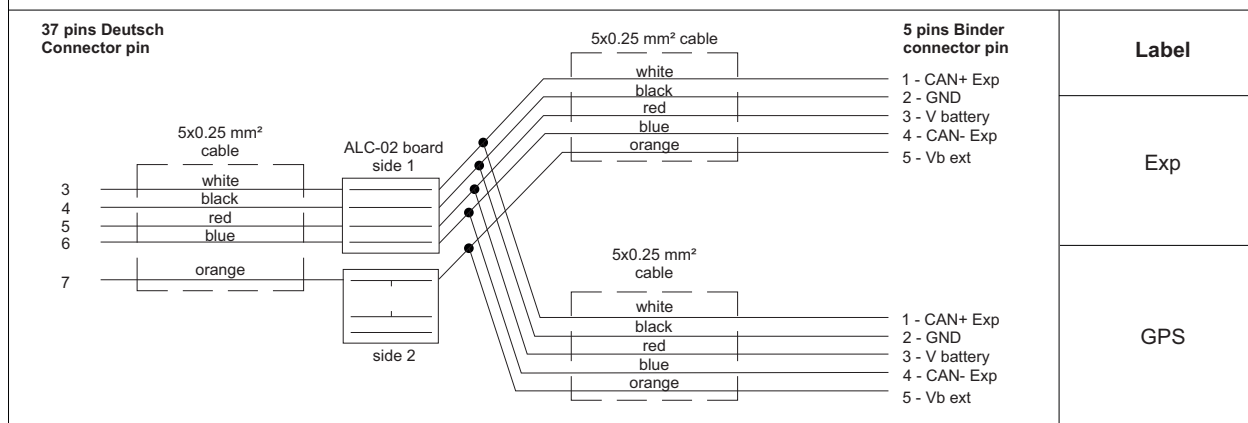


Table of not ended cables

Connector pin	Cable colour	Cable type	Length	Label
15	white	1x0.5mm ²	550mm	RPM
2 1	black red	1x0.5mm ² 1x0.5mm ²	550mm	GND 9-15V Power input
8 9 10 11	white blue black blue	1x0.5mm ² 1x0.5mm ² 1x0.5mm ² 1x0.5mm ²	550mm	CAN1+ CAN1- K-Line GND K-Line